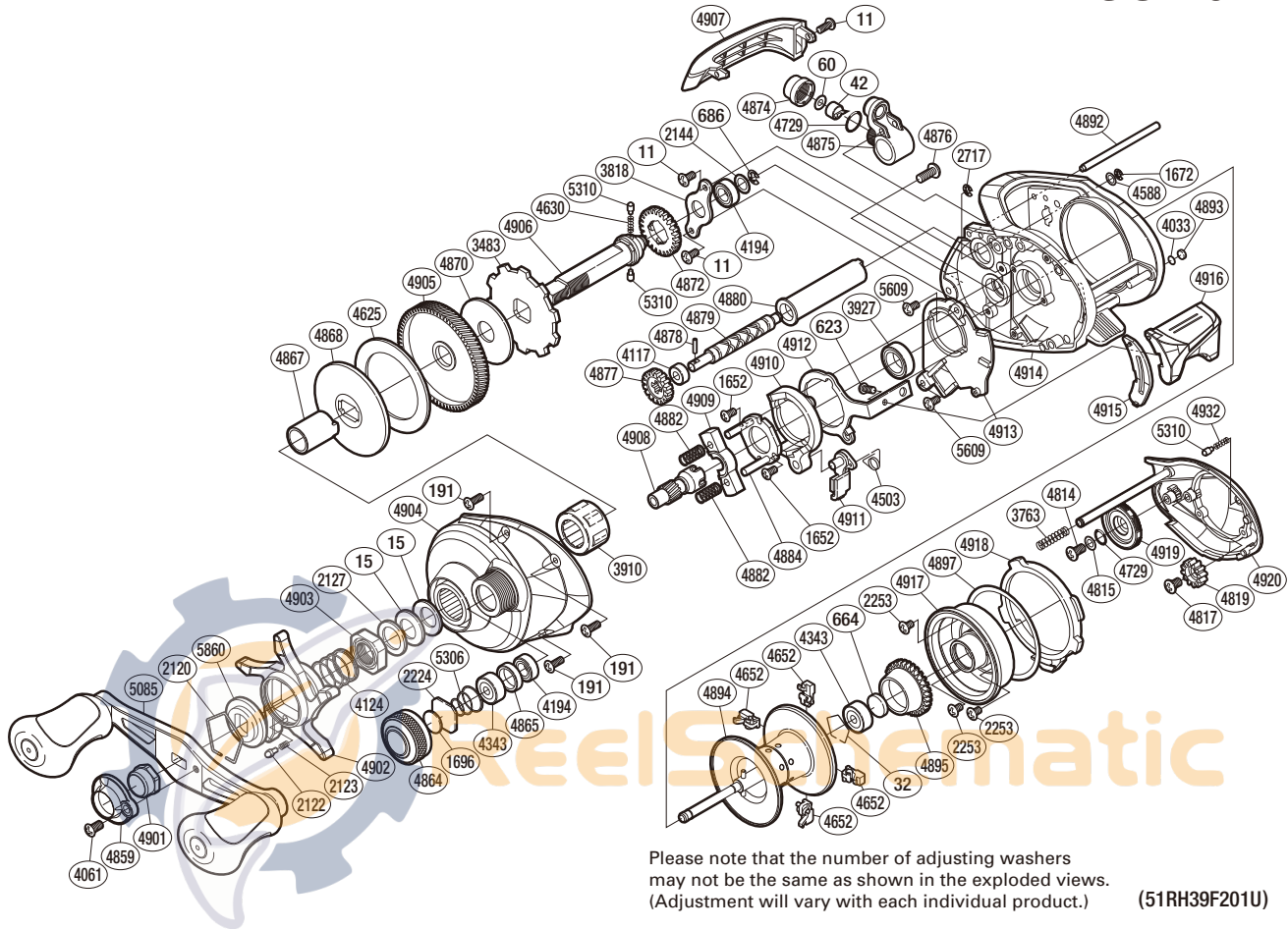


SHIMANO

CURADO S A-RB

CU-2011



Please note that the number of adjusting washers may not be the same as shown in the exploded views. (Adjustment will vary with each individual product.) (51RH39F201U)

| Part No. | Description | Part No. | Description | Part No. | Description |
|----------|-----------------------|----------|--------------------------|----------|--------------------------|
| BNT0011 | Screw | BNT4343 | Ball Bearing | BNT4895 | Brake Ring Gear |
| BNT0015 | Drag Spring Washer | BNT4503 | Clutch Pawl Spring | BNT4897 | Washer |
| BNT0032 | Bearing Retainer | BNT4588 | Washer | BNT4901 | Handle Nut |
| BNT0042 | Line Guide Pawl | BNT4625 | Drag Washer | BNT4902 | Star Drag |
| BNT0060 | Spacer | BNT4630 | Idle Gear Spring | BNT4903 | Star Drag Nut |
| BNT0191 | Screw | BNT4652 | Brake Shoe | BNT4904 | Left Side Plate |
| BNT0623 | Screw | BNT4729 | O Ring | BNT4905 | Drive Gear |
| BNT0664 | Spacer B | BNT4814 | Screw | BNT4906 | Drive Shaft |
| BNT0686 | E Lock | BNT4815 | Washer | BNT4907 | Level Wind Protector |
| BNT1652 | Screw | BNT4817 | Screw | BNT4908 | Pinion Gear |
| BNT1672 | E Lock | BNT4819 | Idle Gear | BNT4909 | Yoke |
| BNT1696 | Cast Control Spacer | BNT4859 | Handle Nut Plate | BNT4910 | Clutch Cam |
| BNT2120 | Click Plate Retainer | BNT4864 | Cast Control Cap | BNT4911 | Clutch Pawl |
| BNT2122 | Click Pin | BNT4865 | Bearing Spacer | BNT4912 | Clutch Plate |
| BNT2123 | Click Spring | BNT4867 | Roller Clutch Inner Tube | BNT4913 | Clutch Guard |
| BNT2127 | Star Drag Spacer | BNT4868 | Key Washer | BNT4914 | One-Piece Frame |
| BNT2144 | Washer | BNT4870 | Drag Washer | BNT4915 | Clutch Bar Guide |
| BNT2224 | Spool Tension Spacer | BNT4872 | Idle Gear | BNT4916 | Quick-Fire II Clutch Bar |
| BNT2253 | Screw | BNT4874 | Pawl Cap | BNT4917 | Brake Case |
| BNT2717 | E Lock | BNT4875 | Line Guide | BNT4918 | Side Plate Cam Lever |
| BNT3483 | Anti-Reverse Ratchet | BNT4876 | Screw | BNT4919 | Brake Dial |
| BNT3763 | Side Plate Spring | BNT4877 | Idle Gear | BNT4920 | Right Side Plate |
| BNT3818 | Drive Shaft Retainer | BNT4878 | Worm Shaft Pin | BNT4932 | Click Spring |
| BNT3910 | Roller Clutch Bearing | BNT4879 | Worm Shaft | BNT5085 | Handle Assembly |
| BNT3927 | Ball Bearing | BNT4880 | Level Wind Guard | BNT5306 | Spool Tension Spring |
| BNT4033 | Washer | BNT4882 | Yoke Spring | BNT5310 | Idle Gear Pin |
| BNT4061 | Screw | BNT4884 | Clutch Cam Retainer | BNT5609 | Screw |
| BNT4117 | Bushing | BNT4892 | Stabilizer Bar | BNT5860 | Star Drag Click Plate |
| BNT4124 | Star Drag Spring | BNT4893 | Anti-Thrust Washer | | |
| BNT4194 | Ball Bearing | BNT4894 | Spool Assembly | BNT4692 | B-100 Oil (accessory) |